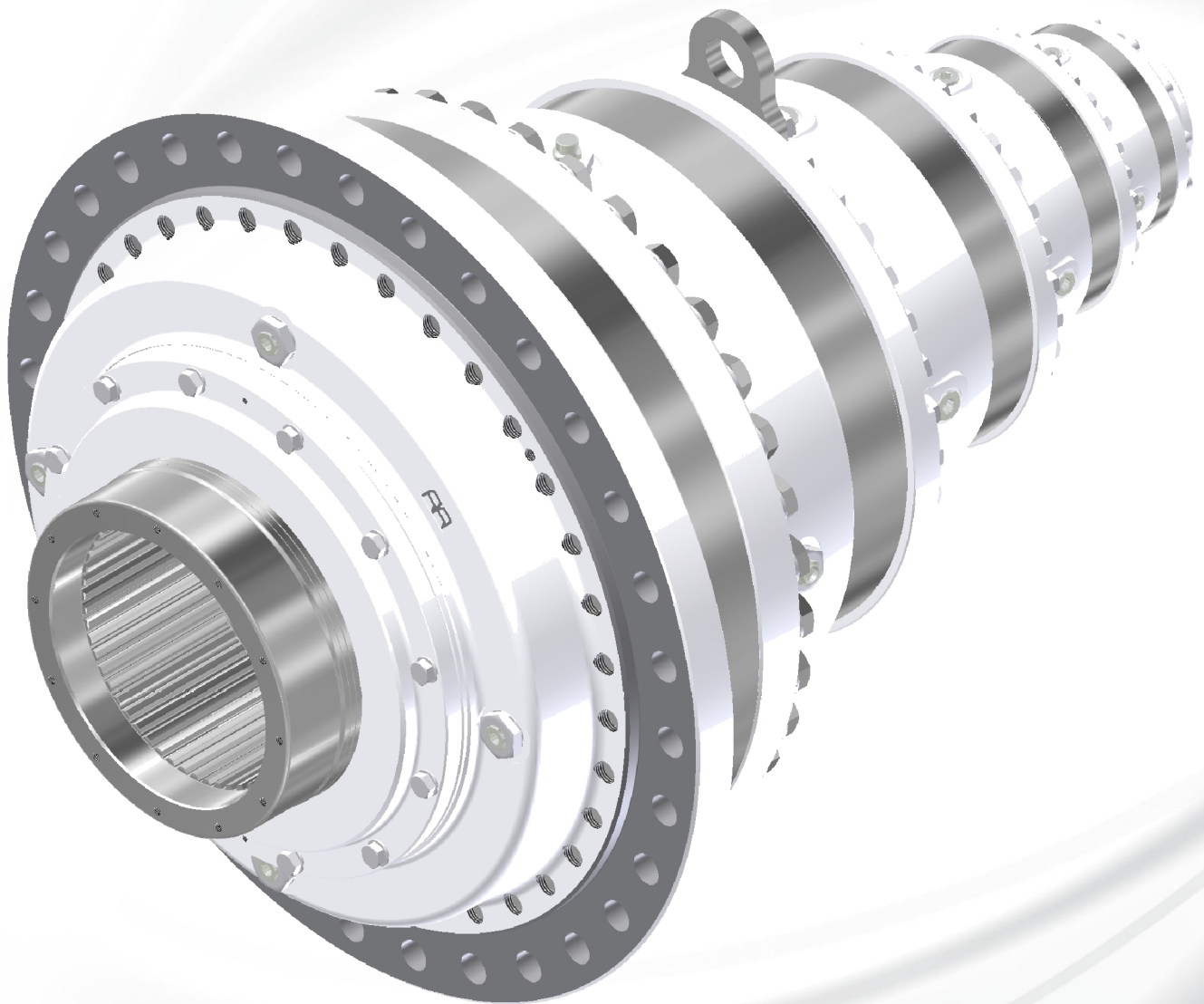


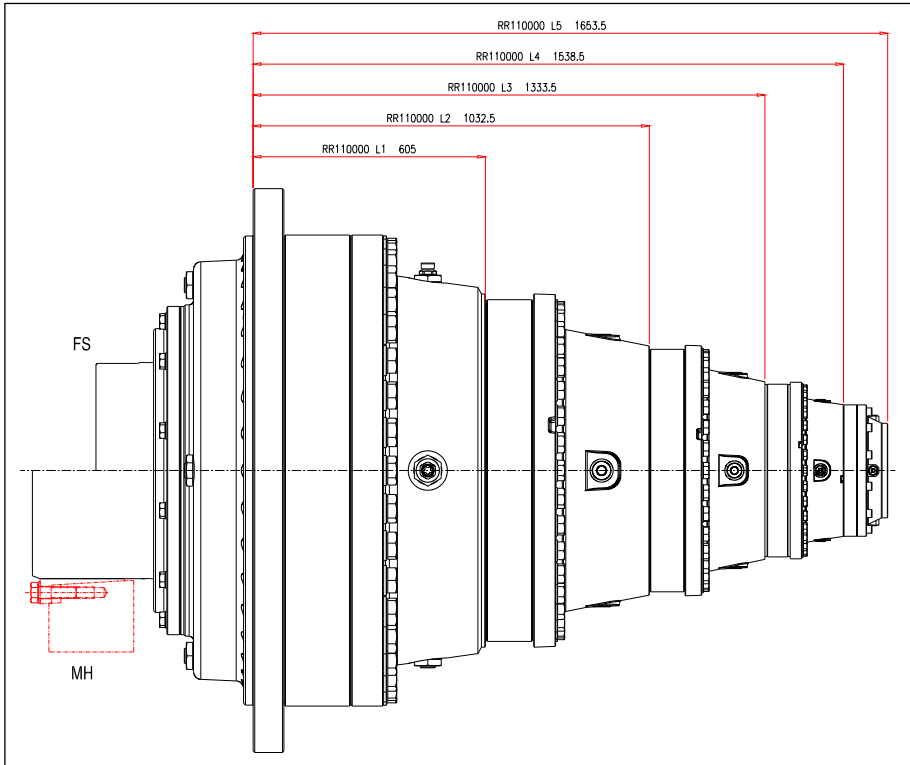
RIDUTTORE EPICICLOIDALE SERIE HIGH TORQUE PLUS
PLANETARY DRIVE HIGH TORQUE PLUS SERIES



RR110000



i	T ₂ [Nm]						n _{1max} [min ⁻¹]	T _{2max} [Nm]	Pt [kW]	
	n ₂ xh									
	10000 (10 ⁴)	25000 (2.5*10 ⁴)	50000 (5*10 ⁴)	100000 (10 ⁵)	500000 (5*10 ⁵)	1000000 (10 ⁶)				
RR110000 L1	4.84	1223100	1106600	1091000	1075600	755700	613800	150	2000000	329
RR110000 L2	20.21	1223100	1106600	1091000	1075600	755700	613800	300	2000000	197
	23.45	1223100	1106600	1091000	1075600	755700	613800	300	2000000	197
	28.41	1223100	1106600	1091000	1075600	755700	613800	300	2000000	197
RR110000 L3	84.36	1223100	1106600	1091000	1075600	755700	613800	500	2000000	144
	97.86	1223100	1106600	1091000	1075600	755700	613800	500	2000000	144
	118.57	1223100	1106600	1091000	1075600	755700	613800	500	2000000	144
	137.55	1223100	1106600	1091000	1075600	755700	613800	500	2000000	144
	166.65	1223100	1106600	1091000	1075600	755700	613800	500	2000000	144
RR110000 L4	352.10	1223100	1106600	1091000	1075600	734000	596200	1000	2000000	113
	408.47	1223100	1106600	1091000	1075600	719400	584300	1000	2000000	113
	494.89	1223100	1106600	1091000	1075600	704600	572300	1000	2000000	113
	574.12	1223100	1106600	1091000	1075600	755700	613800	1000	2000000	113
	695.60	1223100	1106600	1091000	1075600	755700	613800	1000	2000000	113
	806.96	1223100	1106600	1091000	1075600	755700	613800	1000	2000000	113
	977.71	1223100	1106600	1091000	1075600	755700	613800	1000	2000000	113
RR110000 L5	1373.18	1223100	1106600	1091000	1075600	721800	586300	2000	2000000	93
	1593.01	1223100	1106600	1091000	1075600	719400	584300	2000	2000000	93
	1802.05	1223100	1106600	1091000	1075600	719400	584300	2000	2000000	93
	1930.09	1223100	1106600	1091000	1075600	704600	572300	2000	2000000	93
	2183.36	1223100	1106600	1091000	1075600	755700	613800	2000	2000000	93
	2436.97	1223100	1106600	1091000	1075600	755700	613800	2000	2000000	93
	2712.85	1223100	1106600	1091000	1075600	755700	613800	2000	2000000	93
	2952.62	1223100	1106600	1091000	1075600	755700	613800	2000	2000000	93
	3147.14	1223100	1106600	1091000	1075600	755700	613800	2000	2000000	93
	3601.30	1223100	1106600	1091000	1075600	755700	613800	2000	2000000	93
	4363.32	1223100	1106600	1091000	1075600	755700	613800	2000	2000000	93
	5061.83	1223100	1106600	1091000	1075600	755700	613800	2000	2000000	93



Peso [kg]
Weight [kg]

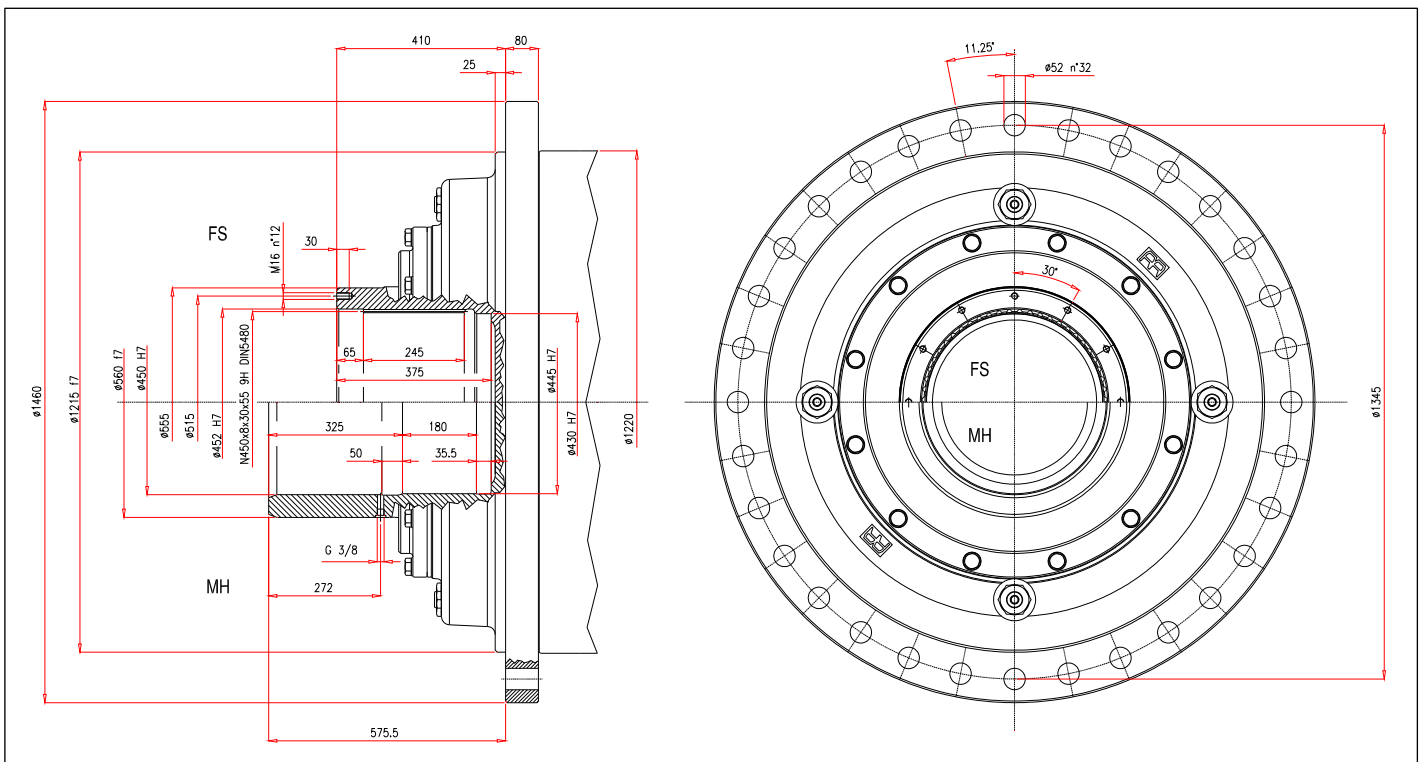
RR110000 L1	FS	4340
	MH	4440

RR110000 L2	FS	5620
	MH	5720

RR110000 L3	FS	6090
	MH	6190

RR110000 L4	FS	6170
	MH	6270

RR110000 L5	FS	6250
	MH	6350





COMPANY WITH
QUALITY SYSTEM
CERTIFIED BY DNV
= ISO 9001 =

REGGIANA RIDUTTORI S.r.l.

Via Martiri di Marzabotto,7
42020 S. Polo d'Enza (RE) ITALY
tel. +39.0522.259111 - fax +39.0522.874321
info@reggianariduttori.com
www.reggianariduttori.com