

RIDUTTORE EPICICLOIDALE SERIE HIGH TORQUE PLUS
PLANETARY DRIVE HIGH TORQUE PLUS SERIES



RR70000



i	T ₂ [Nm]						n _{1max} [min ⁻¹]	T _{2max} [Nm]	Pt [kW]
	n ₂ xh								
	10000 (10 ⁴)	25000 (2.5*10 ⁴)	50000 (5*10 ⁴)	100000 (10 ⁵)	500000 (5*10 ⁵)	1000000 (10 ⁶)			

RR70000 L1	4.84	843000	766600	700000	663400	451700	366900	300	1200000	299
-------------------	-------------	--------	--------	--------	--------	--------	--------	-----	---------	-----

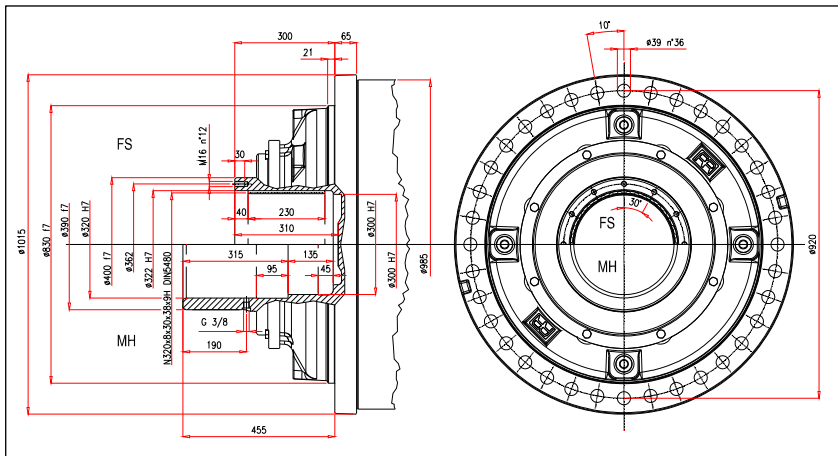
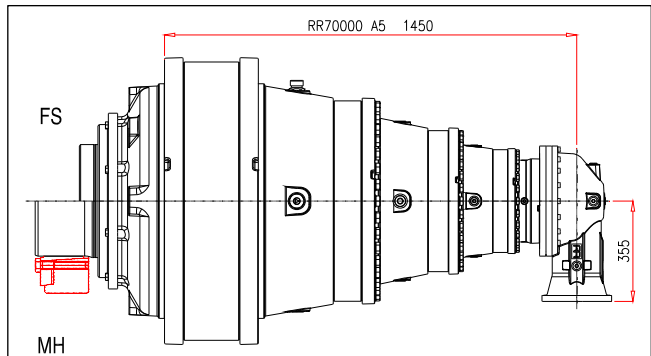
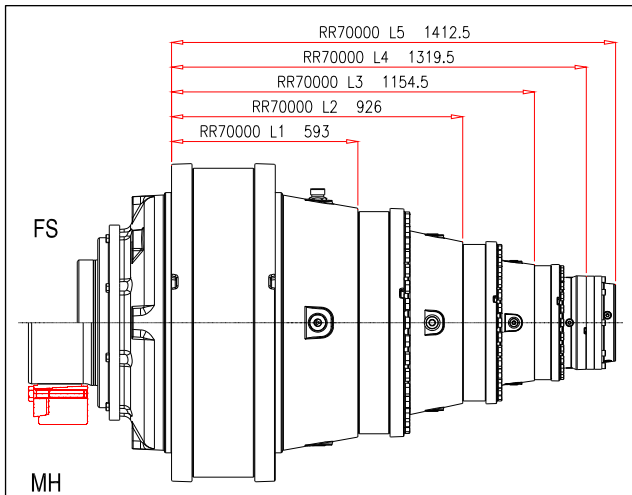
RR70000 L2	20.21	843000	766600	700000	663400	421700	342600	500	1200000	177
	23.45	843000	766600	700000	663400	414500	336700	500	1200000	177
	28.41	726700	685200	655400	626800	406100	329800	500	1200000	177

RR70000 L3	84.36	843000	766600	665000	540200	333300	270700	1000	1200000	127
	97.86	843000	766600	700000	599300	369800	300400	1000	1200000	127
	113.53	843000	766600	700000	589100	363500	295200	1000	1200000	127
	118.57	726700	685200	655400	626800	406100	329800	1000	1200000	127
	137.55	726700	685200	655400	626800	406100	329800	1000	1200000	127
	166.65	726700	685200	655400	626800	406100	329800	1000	1200000	127

RR70000 L4	337.43	843000	766600	665000	540200	333300	270700	2000	1200000	98
	391.45	843000	766600	700000	599300	369800	300400	2000	1200000	98
	454.11	843000	766600	700000	589100	363500	295200	2000	1200000	98
	493.16	843000	766600	665000	540200	333300	270700	2000	1200000	98
	550.20	726700	685200	655400	626800	406100	329800	2000	1200000	98
	647.29	726700	685200	655400	626800	406100	329800	2000	1200000	98
	784.26	726700	685200	655400	626800	406100	329800	2000	1200000	98
	974.29	726700	685200	655400	626800	406100	329800	2000	1200000	98

RR70000 L5	1323.76	843000	766600	665000	540200	333300	270700	3000	1200000	81
	1452.41	843000	766600	665000	540200	333300	270700	3000	1200000	81
	1684.92	843000	766600	700000	599300	369800	300400	3000	1200000	81
	1934.72	843000	766600	665000	540200	333300	270700	3000	1200000	81
	2169.18	843000	766600	656400	533100	329000	267200	3000	1200000	81
	2484.26	843000	766600	700000	589300	363500	295200	3000	1200000	81
	2786.17	726700	685200	655400	626800	406100	329800	3000	1200000	81
	3170.34	843000	766600	665000	540200	333300	270700	3000	1200000	81
	3541.07	843000	766600	700000	577200	356100	289300	3000	1200000	81
	3900.48	843000	766600	665000	540200	333300	270700	3000	1200000	81
	4524.90	843000	766600	700000	599300	369800	300400	3000	1200000	81
	5329.93	726700	685200	655400	626800	406100	329800	3000	1200000	81

RR70000 A5	934.42	794700	603700	490300	398300	245800	199600	2500	120000	85
	1084.00	843000	669800	544100	441900	272700	221500	2500	120000	85
	1257.54	843000	766600	603700	490300	302500	245700	2500	120000	85
	1365.68	843000	766600	639500	519500	320500	260300	2500	120000	85
	1523.63	726700	685200	655400	560800	346000	281100	2500	120000	85
	1792.50	726700	685200	655400	626800	387700	314900	2500	120000	85
	2171.79	726700	685200	655400	626800	406100	329800	2500	120000	85
	2698.03	726700	685200	655400	626800	406100	329800	2500	120000	85



			Peso [kg] Weight [kg]
RR70000 L1	FS		2260
	MH		2310
RR70000 L2	FS		2920
	MH		2970
RR70000 L3	FS		3130
	MH		3180
RR70000 L4	FS		3220
	MH		3270
RR70000 L5	FS		3250
	MH		3300
RR70000 A5	FS		3310
	MH		3360



COMPANY WITH
QUALITY SYSTEM
CERTIFIED BY DNV
= ISO 9001 =

REGGIANA RIDUTTORI S.r.l.

Via Martiri di Marzabotto,7
42020 S. Polo d'Enza (RE) ITALY
tel. +39.0522.259111 - fax +39.0522.874321
info@reggianariduttori.com
www.reggianariduttori.com