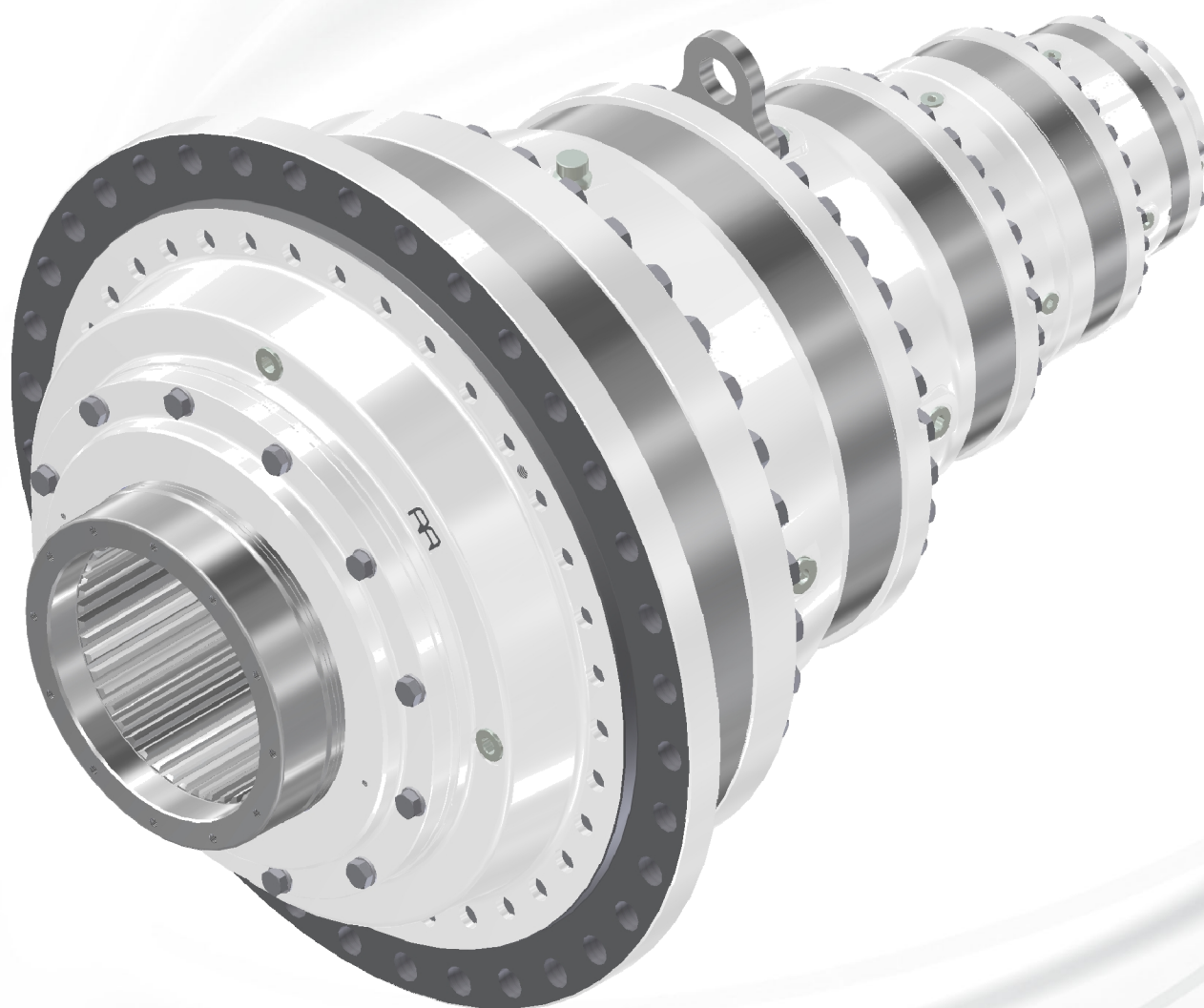


RIDUTTORE EPICICLOIDALE SERIE HIGH TORQUE PLUS
PLANETARY DRIVE HIGH TORQUE PLUS SERIES



RR85000



i	T ₂ [Nm]						n _{1max} [min ⁻¹]	T _{2max} [Nm]	Pt [kW]
	n ₂ xh								
	10000 (10 ⁴)	25000 (2.5*10 ⁴)	50000 (5*10 ⁴)	100000 (10 ⁵)	500000 (5*10 ⁵)	1000000 (10 ⁶)			

RR85000 L1	4.6	899000	818900	807300	781800	498050	404500	250	1500000	312
-------------------	------------	--------	--------	--------	--------	--------	--------	-----	---------	-----

RR85000 L2	19.20	899000	818900	807300	781800	498050	404540	500	1500000	187
	22.27	899000	818900	807300	781800	498050	404540	500	1500000	187
	26.99	899000	818900	807300	781800	498050	404540	500	1500000	187

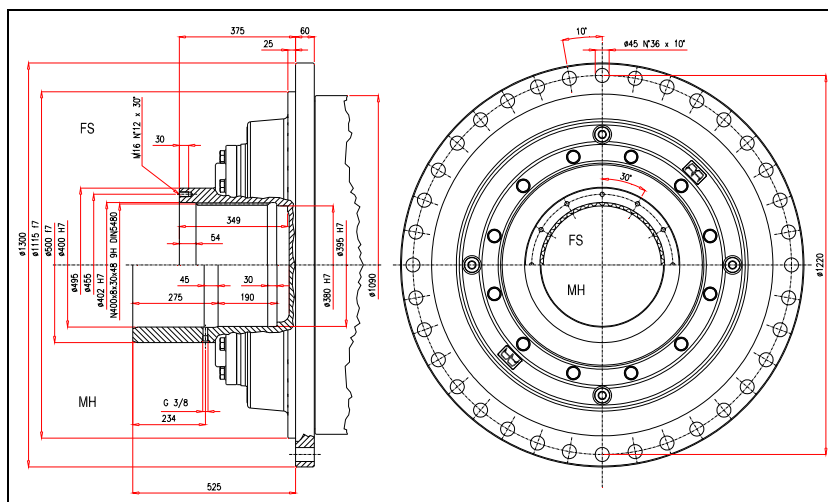
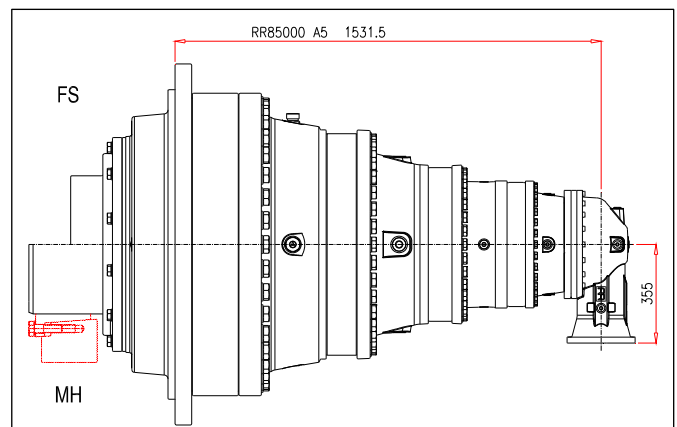
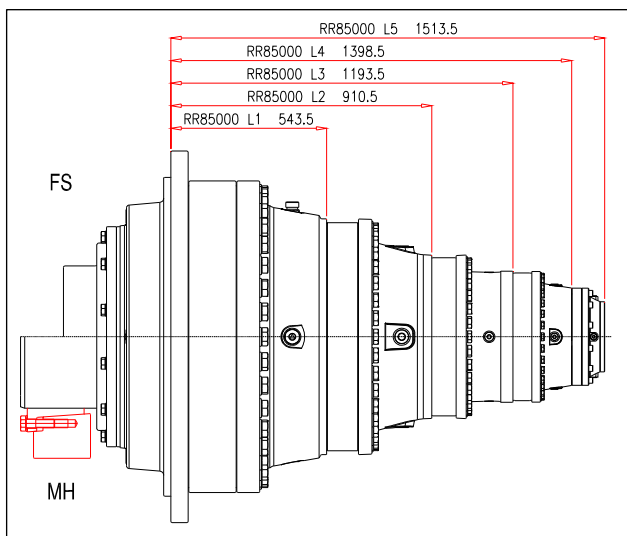
RR85000 L3	80.14	899000	818900	807300	781800	498050	395490	750	1500000	136
	92.97	899000	818900	807300	781800	498050	404540	750	1500000	136
	107.85	899000	818900	807300	781800	498050	404540	750	1500000	136
	112.64	899000	818900	807300	781800	498050	404540	750	1500000	136
	130.67	899000	818900	807300	781800	498050	404540	750	1500000	136
	158.32	899000	818900	807300	781800	498050	404540	750	1500000	136

RR85000 L4	334.49	899000	818900	807300	781800	498050	395490	1000	1500000	108
	388.04	899000	818900	807300	781800	498050	404540	1000	1500000	108
	432.30	899000	818900	807300	781800	498050	404540	1000	1500000	108
	492.19	899000	818900	807300	781800	498050	404540	1000	1500000	108
	545.41	899000	818900	807300	781800	498050	404540	1000	1500000	108
	607.63	899000	818900	807300	781800	498050	404540	1000	1500000	108
	670.22	899000	818900	807300	781800	498050	404540	1000	1500000	108
	736.20	899000	818900	807300	781800	498050	404540	1000	1500000	108
	838.17	899000	818900	807300	781800	498050	404540	1000	1500000	108
	983.86	899000	818900	807300	781800	498050	404540	1000	1500000	108

RR85000 L5	1304.53	899000	818900	807300	781800	486900	395490	2000	1500000	89
	1475.71	899000	818900	807300	781800	486900	395490	2000	1500000	89
	1685.98	899000	818900	807300	781800	498050	404540	2000	1500000	89
	1907.22	899000	818900	807300	781800	498050	404540	2000	1500000	89
	2171.41	899000	818900	807300	781800	498050	404540	2000	1500000	89
	2434.08	899000	818900	807300	781800	498050	404540	2000	1500000	89
	2804.99	899000	818900	807300	781800	498050	404540	2000	1500000	89
	3166.94	899000	818900	807300	781800	498050	404540	2000	1500000	89
	3623.96	899000	818900	807300	781800	498050	404540	2000	1500000	89
	4145.15	899000	818900	807300	781800	498050	404540	2000	1500000	89
	4617.96	899000	818900	807300	781800	498050	404540	2000	1500000	89
	5257.64	899000	818900	807300	781800	498050	404540	2000	1500000	89



RR85000 A5	1031.95	851860	647130	525630	426940	263440	213980	2500	1500000	93
	1074.58	876350	665730	540740	439220	271010	220130	2500	1500000	93
	1197.15	899000	718010	583210	473710	292300	237420	2500	1500000	93
	1362.98	899000	786270	638650	518740	320080	259990	2500	1500000	93
	1510.38	899000	818900	686250	557410	343940	279360	2500	1500000	93
	1682.66	899000	818900	740150	601180	370950	301310	2500	1500000	93
	1855.99	899000	818900	792730	643890	397300	322710	2500	1500000	93
	2038.70	899000	818900	807300	687630	424290	344570	2500	1500000	93
	2321.10	899000	818900	807300	753000	464620	377400	2500	1500000	93
2724.53	899000	818900	807300	781800	519780	422200	2500	1500000	93	



			Peso [kg] Weight [kg]
RR85000 L1	FS		3125
	MH		3201
RR85000 L2	FS		4144
	MH		4220
RR85000 L3	FS		4439
	MH		4515
RR85000 L4	FS		4574
	MH		4650
RR85000 L5	FS		4624
	MH		4700
RR85000 A5	FS		4664
	MH		4740



COMPANY WITH
QUALITY SYSTEM
CERTIFIED BY DNV
= ISO 9001 =

REGGIANA RIDUTTORI S.r.l.

Via Martiri di Marzabotto,7
42020 S. Polo d'Enza (RE) ITALY
tel. +39.0522.259111 - fax +39.0522.874321
info@reggianariduttori.com
www.reggianariduttori.com